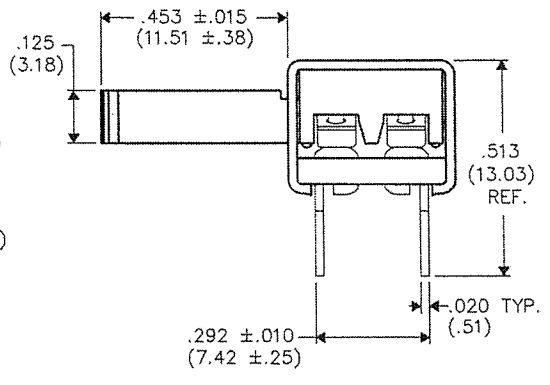
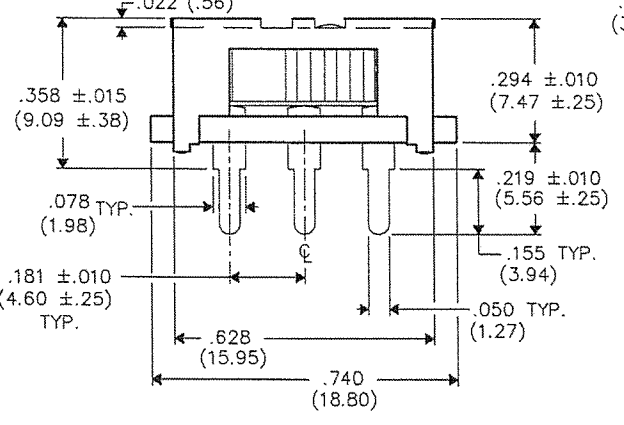
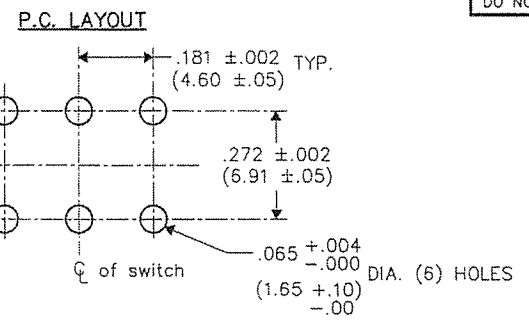
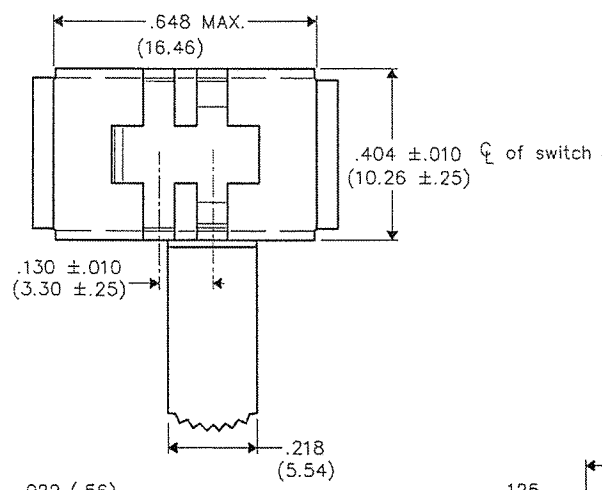


F  
 D  
 C  
 B  
 A

THIS INFORMATION IS CONFIDENTIAL AND PROPRIETARY TO CW INDUSTRIES INCORPORATED AND ITS AFFILIATES. IT MAY NOT BE DISCLOSED TO ANYONE OTHER THAN CW INDUSTRIES PERSONNEL, WITHOUT WRITTEN AUTHORIZATION FROM CW INDUSTRIES INCORPORATED, SOUTHAMPTON, PENNSYLVANIA USA.

DIMENSIONS IN INCHES (MILLIMETERS)  
 DO NOT SCALE DRAWING .....

Dwg. No.  
**GI-152-0079**



1      2      3      4      5      6      7      8      9      10

B-FORMAT 2002  
**REVISIONS**  
 RELEASED: 7/26/17  
 DGW & (S/D) IMG 1 2017

(Empty revision table area)

**GW INDUSTRIES**  
 Southampton, Pa. 18966  
 TOLERANCES UNLESS OTHERWISE SPECIFIED  
 2 Place Decimal ±.010 METRIC  
 3 Place Decimal ±.005 1 Place Dec. ±.25mm  
 Angles ..... ±1° 2 Place Dec. ±.13mm  
 Made for: CW IND.  
 Drawn by: DGW 7/26/17  
 Checked by: *GI GOLD* 7-27-17  
 Approved: *Chem* 8/5/17

Title: **MINI SLIDE SIDE ACTUATED SWITCH D.P./D.T.**  
 Division: **SWITCH**  
 Dwg. No. **GI-152-0079**

**MASTER**